

ME 2120 Recitation 6

*Questions Taken from 9th Edition*Useful Equations

$$\sum \vec{F} = 0 \quad \sum \vec{F}_x = 0 \quad \sum \vec{F}_y = 0 \quad \sum \vec{F}_z = 0$$
$$\sum \vec{M} = 0$$

- 4.148** For the frame and loading shown, determine the reactions at *A* and *C*.

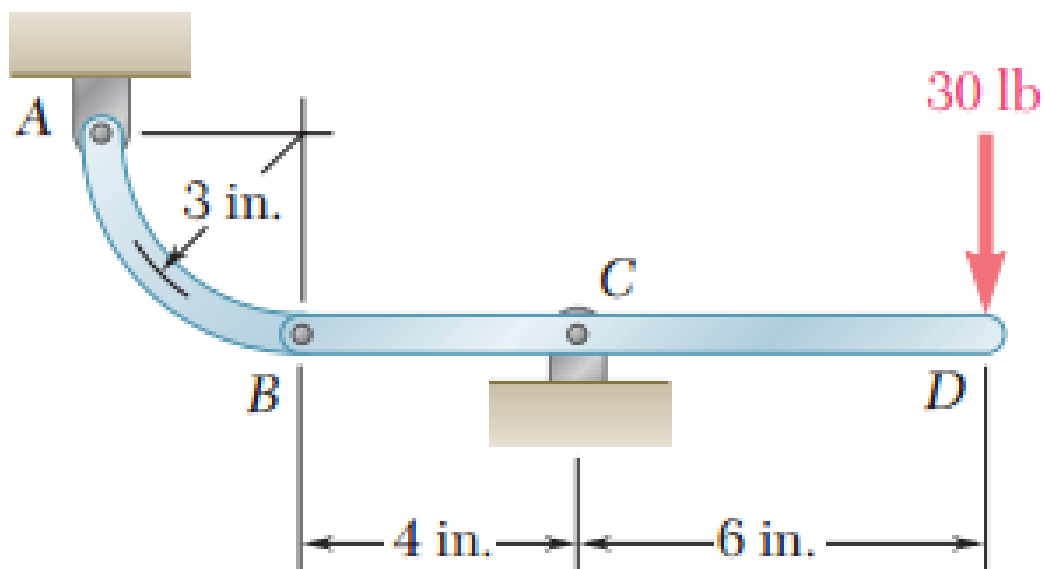


Fig. P4.148

6.1 through 6.8 Using the method of joints, determine the force in each member of the truss shown. State whether each member is in tension or compression.

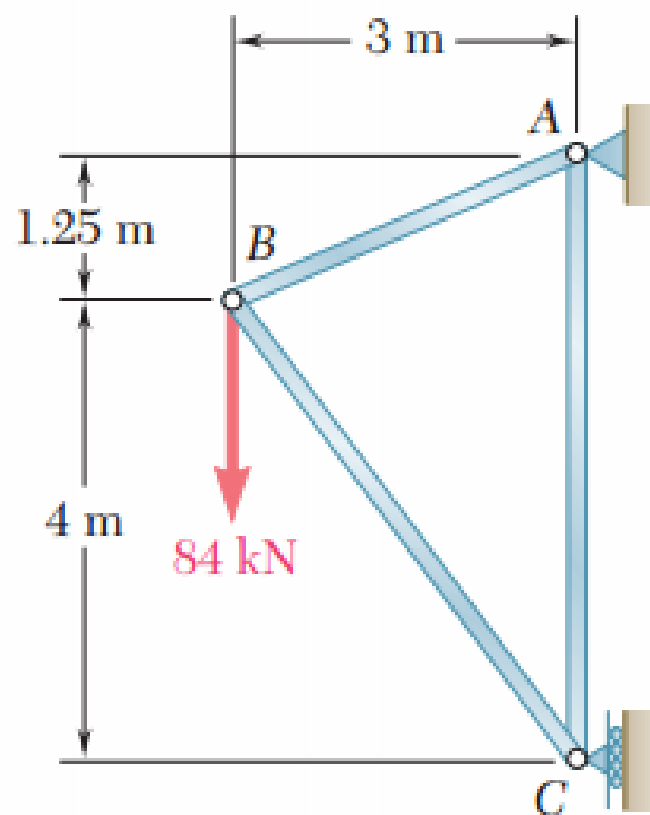


Fig. P6.1

- 6.15** Determine the force in each member of the Warren bridge truss shown. State whether each member is in tension or compression.

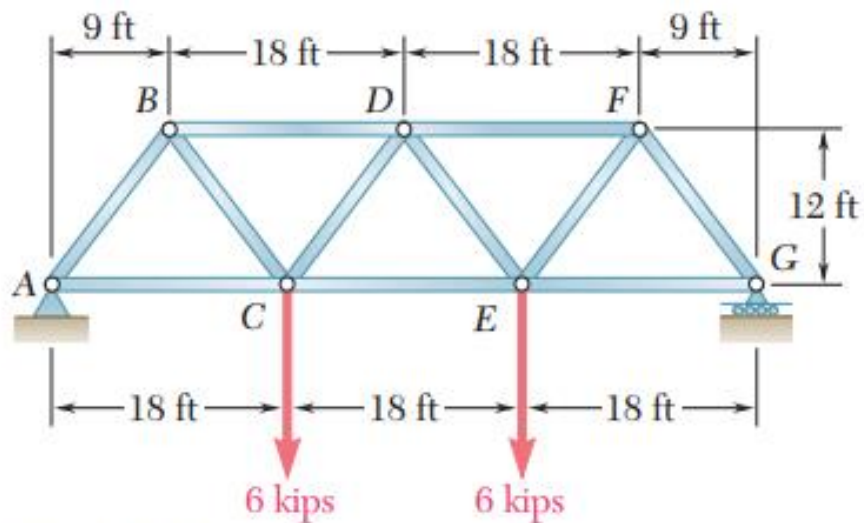


Fig. P6.15