

Biasing the Common Emitter BJT Transistor

Source: Electronic Devices: A Design Approach Ali Aminian and Marian Kazimierczuk, 2004

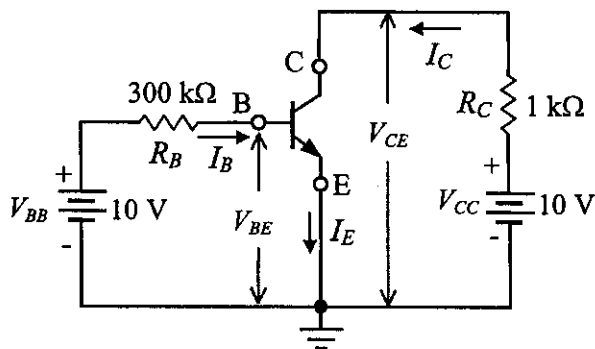


Figure 3-11(a): Dual-supply common-emitter DC bias circuit

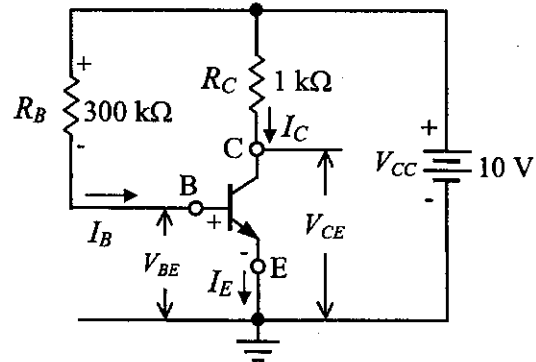


Figure 3-11(b): Single-supply common-emitter DC bias circuit

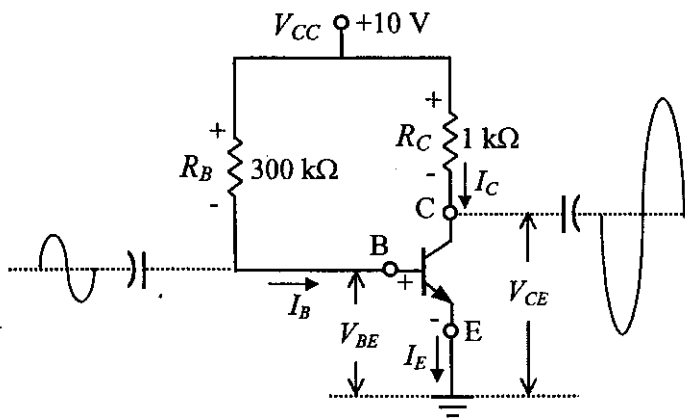


Figure 3-11(c): Base-biased common-emitter amplifier circuit.

Figure 3-12(a): Base-biased common-emitter amplifier

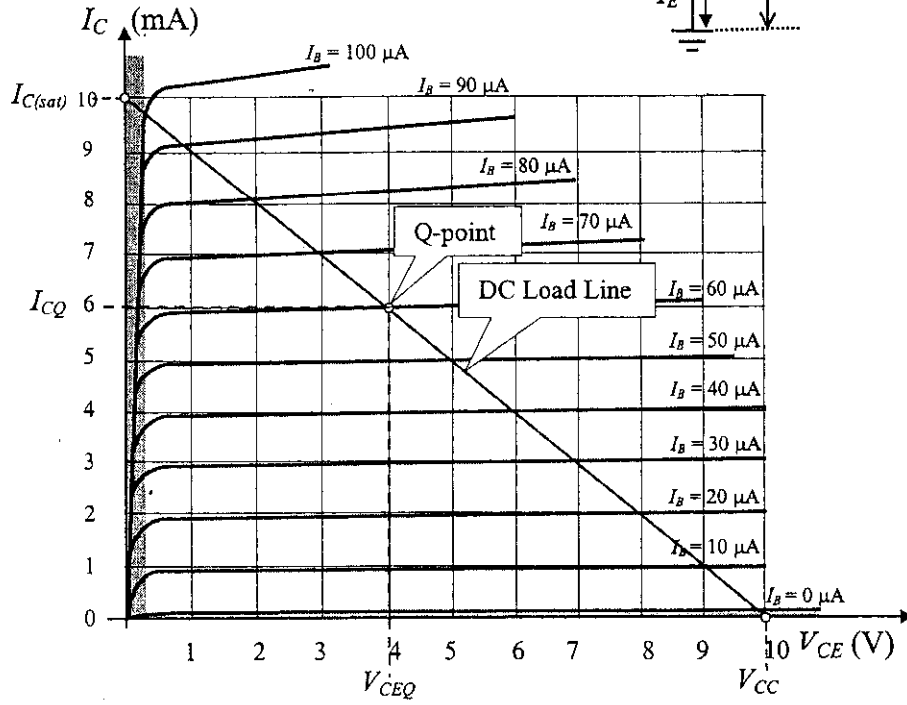
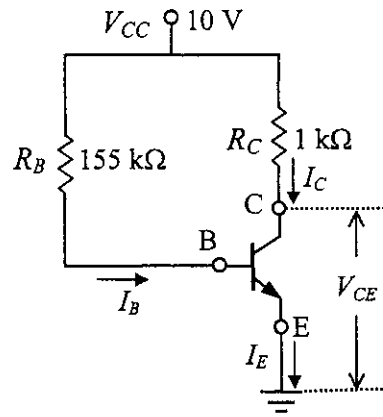


Figure 3-12(b) Output characteristics, DC load line and the Q-point

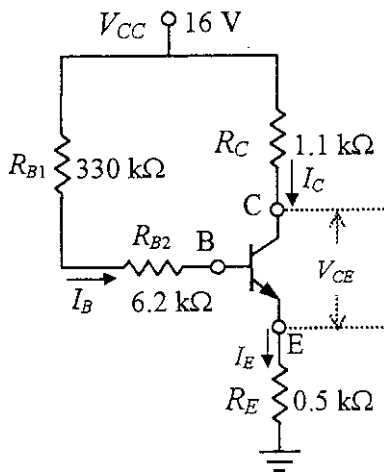


Figure 3-14: Emitter-biased common-emitter amplifier

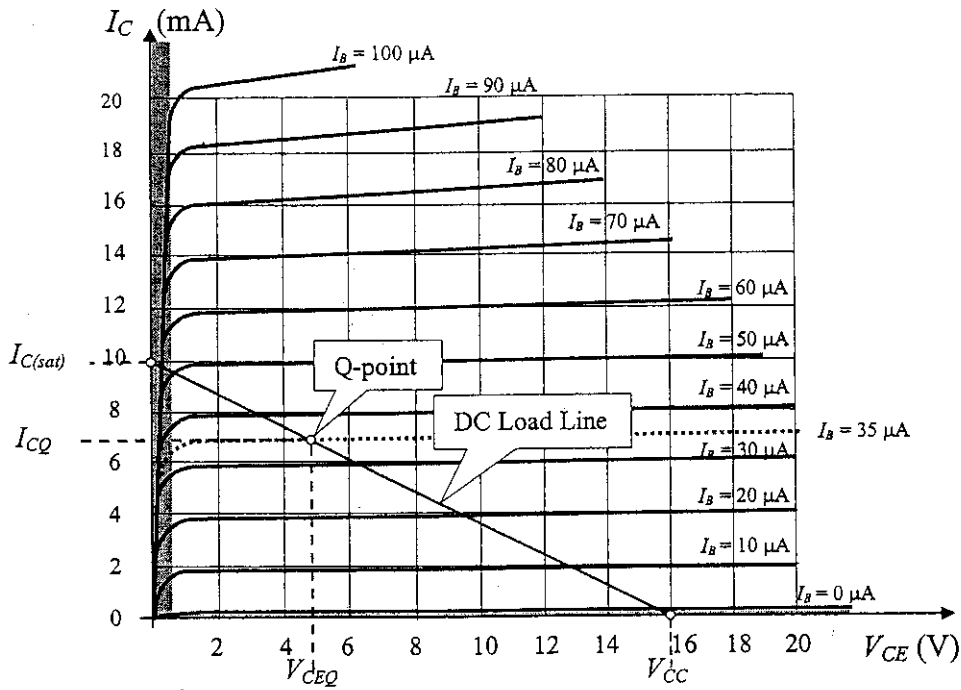


Figure 3-15: DC load line and the Q-point for the amplifier of Figure 3-14

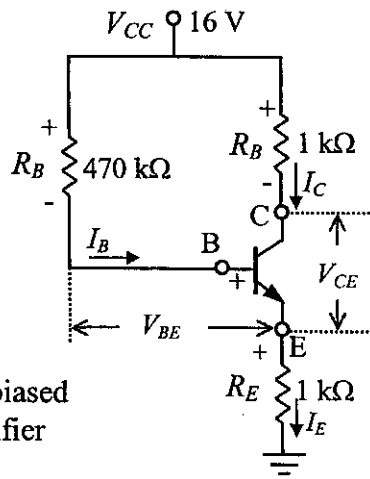
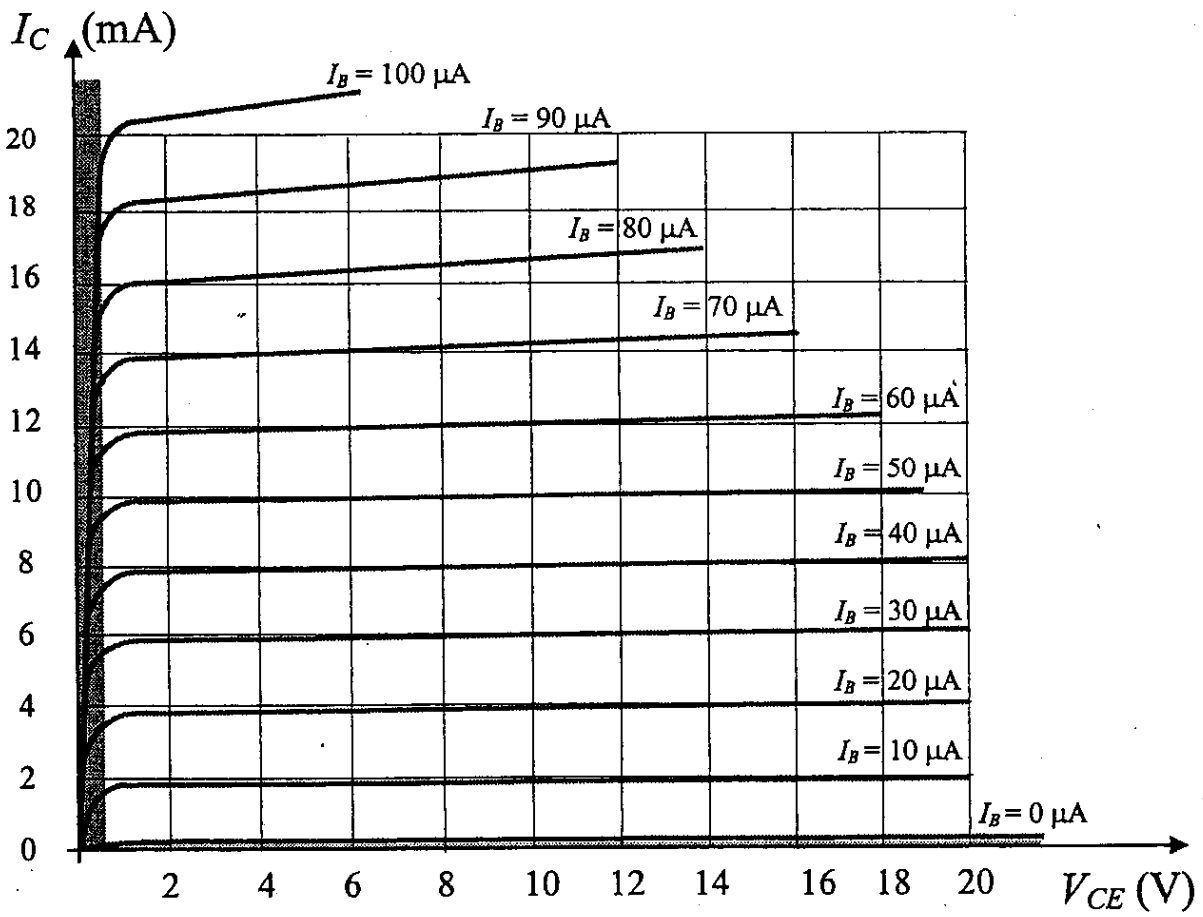


Figure 3-13: Emitter-biased common-emitter amplifier



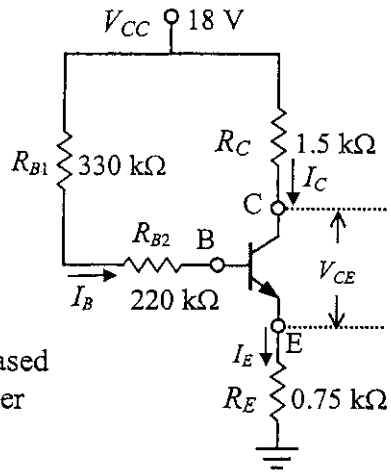


Figure 3-16: Emitter-biased common-emitter amplifier

