

Additional Logic Gate Implementation Practice Problems

For each of the logic gates diagrams below,

Determine the Boolean function that defines the output

Create a Truth Table for the Inputs / Output

Convert the logic gate circuit to its simplest configuration

Note: If inverted inputs are required, use the inverse rather than an inverter, i.e. use \bar{A} as an input.

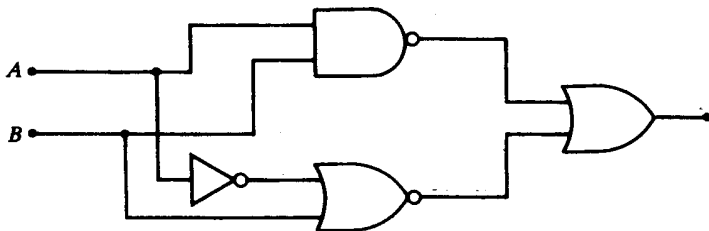


Fig. 12-2

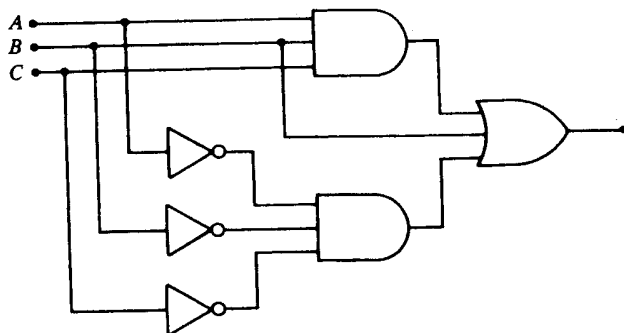


Fig. 12-3

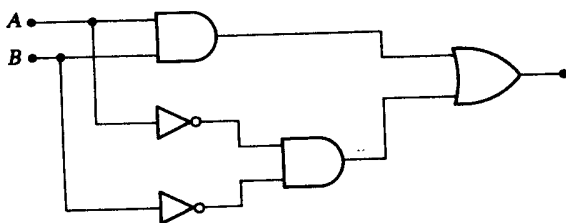


Fig. 12-5

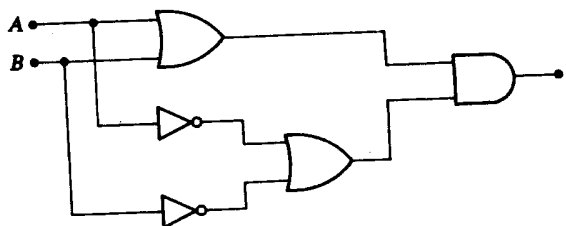


Fig. 12-6